

# Water Filtration Products



---

## Installation Manual *for* Single Cartridge Systems

---



---

### for GlobalPlus *High Flow Series Water Filtration Systems*

Note: Installer - Please leave with owner/operator.

## Contents

Read These Warning First . . . . .	2
Installation Procedures . . . . .	3
Parts Identification Lists . . . . .	6
Filter Performance Data . . . . .	7
Contact Details . . . . .	12

## Read These Warning First

### SAFETY INFORMATION

Read, understand, and follow all safety information contained in these instructions prior to installation and use of the High Flow Series Water Filtration System. Retain these instructions for future reference.

#### Intended use:

The High Flow Series Water Filtration System is intended for use in filtering potable water in commercial applications and has not been evaluated for other uses. The system is typically installed at the point of use and must be installed as specified in the installation instructions by a qualified professional.

#### EXPLANATION OF SIGNAL WORD CONSEQUENCES

**WARNING:** Indicates a potentially hazardous situation, which, if not avoided, could result in death or serious injury and/or property damage.

**CAUTION:** Indicates a potentially hazardous situation which, if not avoided, may result in minor or moderate injury and/or property damage.

#### WARNING:

##### To reduce the risk associated with choking:

- Do not allow children under 3 years of age to have access to small parts during the installation of this product.

##### To reduce the risk associated with the ingestion of contaminants:

- Do not use with water that is microbiologically unsafe or of unknown quality without adequate disinfection before or after the system. Systems certified for cyst reduction may be used on disinfected water that may contain filterable cysts. EPA Establishment #070595-CT-001

##### To reduce the risk associated with hazardous voltage due to an installer drilling through existing electric wiring or water pipes in the area of installation:

- Do not install near electric wiring or piping which may be in the path of a drilling tool when selecting the position to mount the system bracket.

##### To reduce the risk of physical injury:

- Depressurize system as shown in manual prior to cartridge removal.

##### To reduce the risk associated with hazardous voltage:

- If the home electrical system requires use of the cold water system as an electrical safety ground, a jumper must be used to ensure a sufficient ground connection across the system installation piping — refer installation to qualified personnel.



#### CAUTION:

##### To reduce the risk associated with property damage due to water leakage:

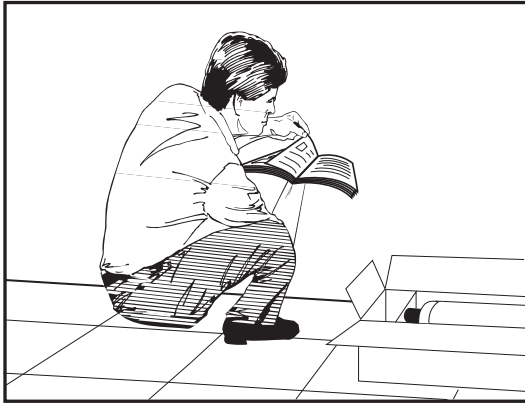
- Read and follow Use Instructions before installation and use of this system.
- Installation and use **MUST** comply with all state and local plumbing codes.
- Protect from freezing, remove filter cartridge when temperatures are expected to drop below 4.4° C (40° F).
- Do not install systems in areas where ambient temperatures may go above 43.3° C (110° F).
- Do not install if water pressure exceeds 862 kPa (125 psi). If your water pressure exceeds 552 kPa (80 psi), you must install a pressure limiting valve. Contact a plumbing professional if you are uncertain how to check your water pressure.
- Do not install where water hammer conditions may occur. If water hammer conditions exist you must install a water hammer arrester. Contact a plumbing professional if you are uncertain how to check for this condition.
- Where a backflow prevention device is installed on a water system, a device for controlling pressure due to thermal

## Read These Warnings First

expansion must be installed.

- **Do not** use a torch or other high temperature sources near system, cartridges, plastic fittings or plastic plumbing.
- On plastic fittings heat source, never use pipe sealant or pipe dope. Use PTFE thread tape only, pipe dope properties may deteriorate plastic.
- **Do not** install in direct sunlight or outdoors.
- **Do not** install near water pipes which will be in path of a drilling tool when selecting the position to mount the bracket.
- Mount system in such a position as to prevent it from being struck by other items used in the area of installation.
- Ensure that the location and fasteners will support the weight of the system when installed and full of water.
- Ensure all tubing and fittings are secure and free of leaks.
- The disposable filter cartridge **MUST** be replaced every 12 months, at the rated capacity or sooner if a noticeable reduction in flow rate occurs.

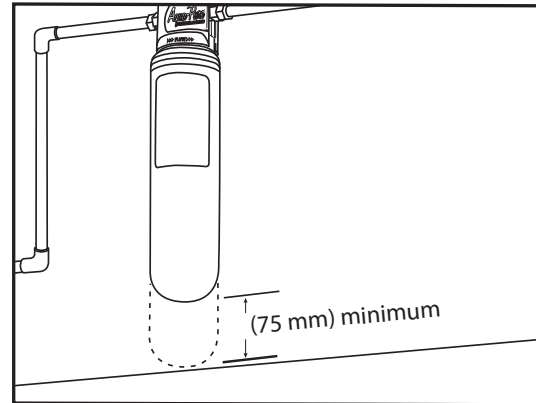
## Installation Procedures



### STEP 1

Remove system from the package and check parts list (page 7).

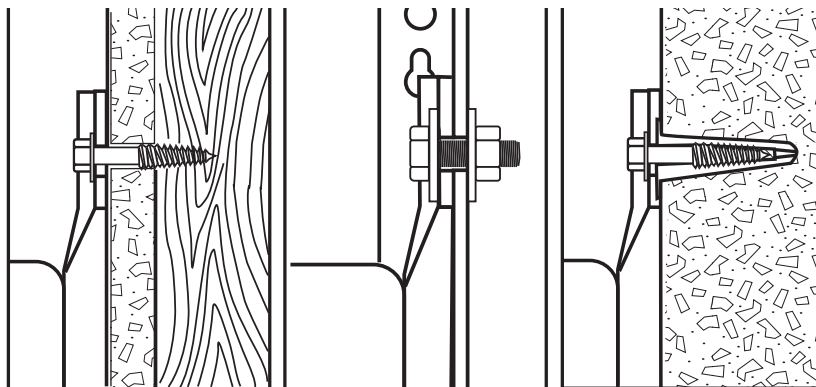
**NOTE:** Be sure inlet water supply is turned off before installing.



### STEP 2

Selected the installation location.

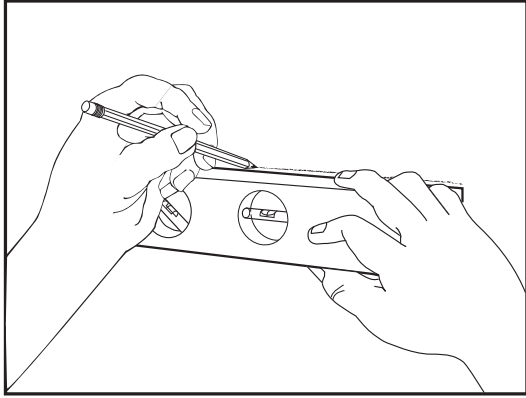
**IMPORTANT:** Allow a minimum of 75mm of space below cartridge for change-outs.



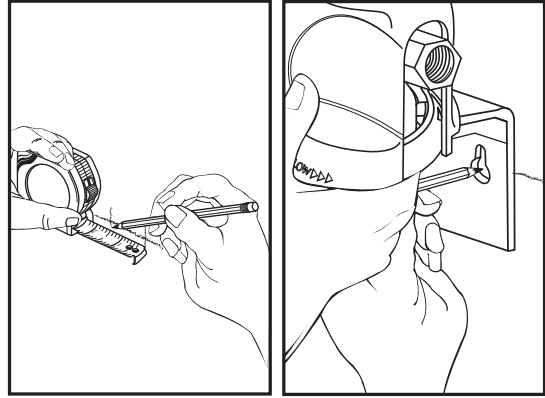
### STEP 3

Select the fasteners (not included) and tools appropriate for the installation location (wood beam, concrete, etc..).

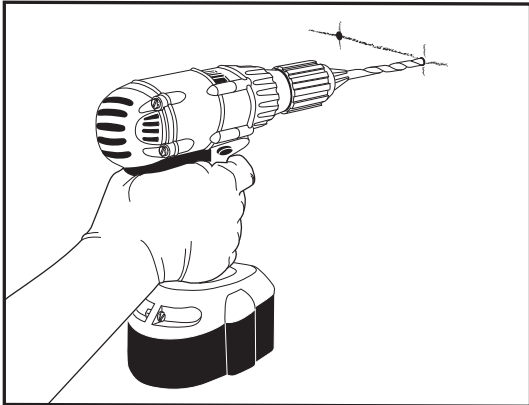
**WARNING:** The location and fasteners must support the weight of the system when full of water.



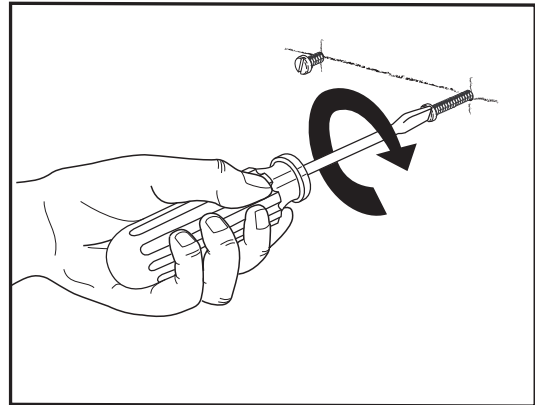
**STEP 4**  
Draw a line using a level on the mounting surface.



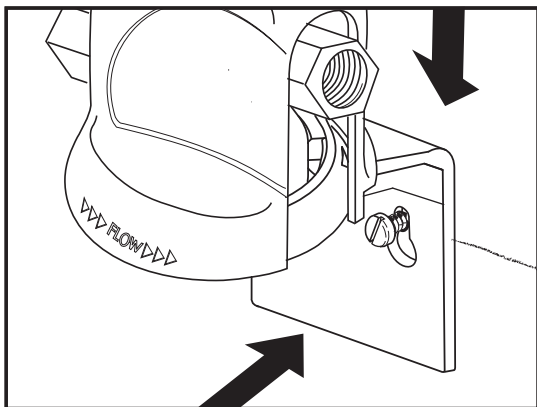
**STEP 5**  
Mark the locations for the fasteners either by measuring the distance between the bracket holes or using the bracket itself.



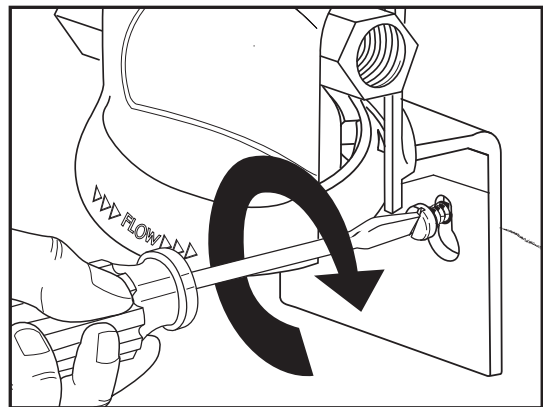
**STEP 6**  
Drill holes for the fasteners.



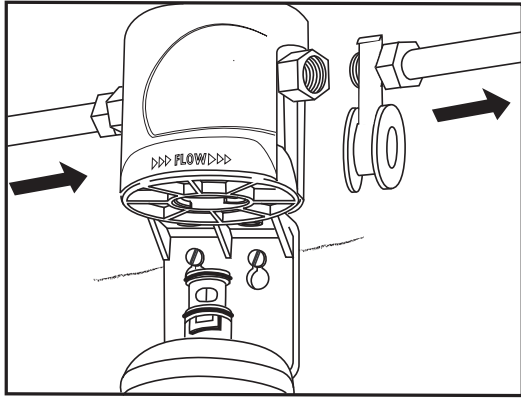
**STEP 7**  
Allow 6 - 10 mm of each fastener to protrude from the surface.



**STEP 8**  
Install the head and bracket onto fasteners.

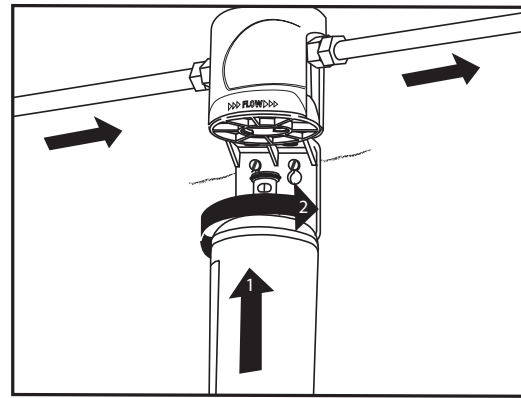


**STEP 9**  
Tighten fasteners.



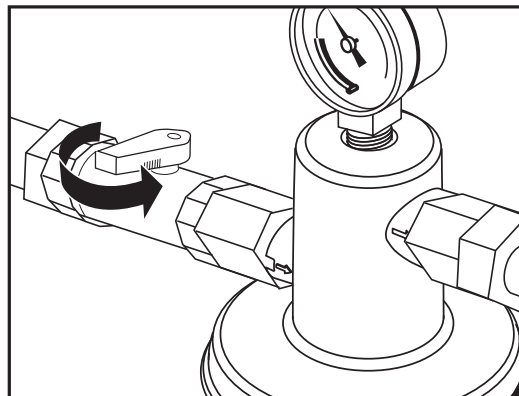
**STEP 10**

Install inlet (left) and outlet (right) piping. Be sure to use PTFE tape. **IMPORTANT:** Hexagonal sockets on the head do not rotate. **DO NOT OVER TIGHTEN.**



**STEP 11**

Remove sanitary cap from cartridge. Install cartridge with a quarter turn to the right until cartridge comes to a complete stop. Flush new cartridge as noted on the Performance Data Sheet or Flush Instruction Card.



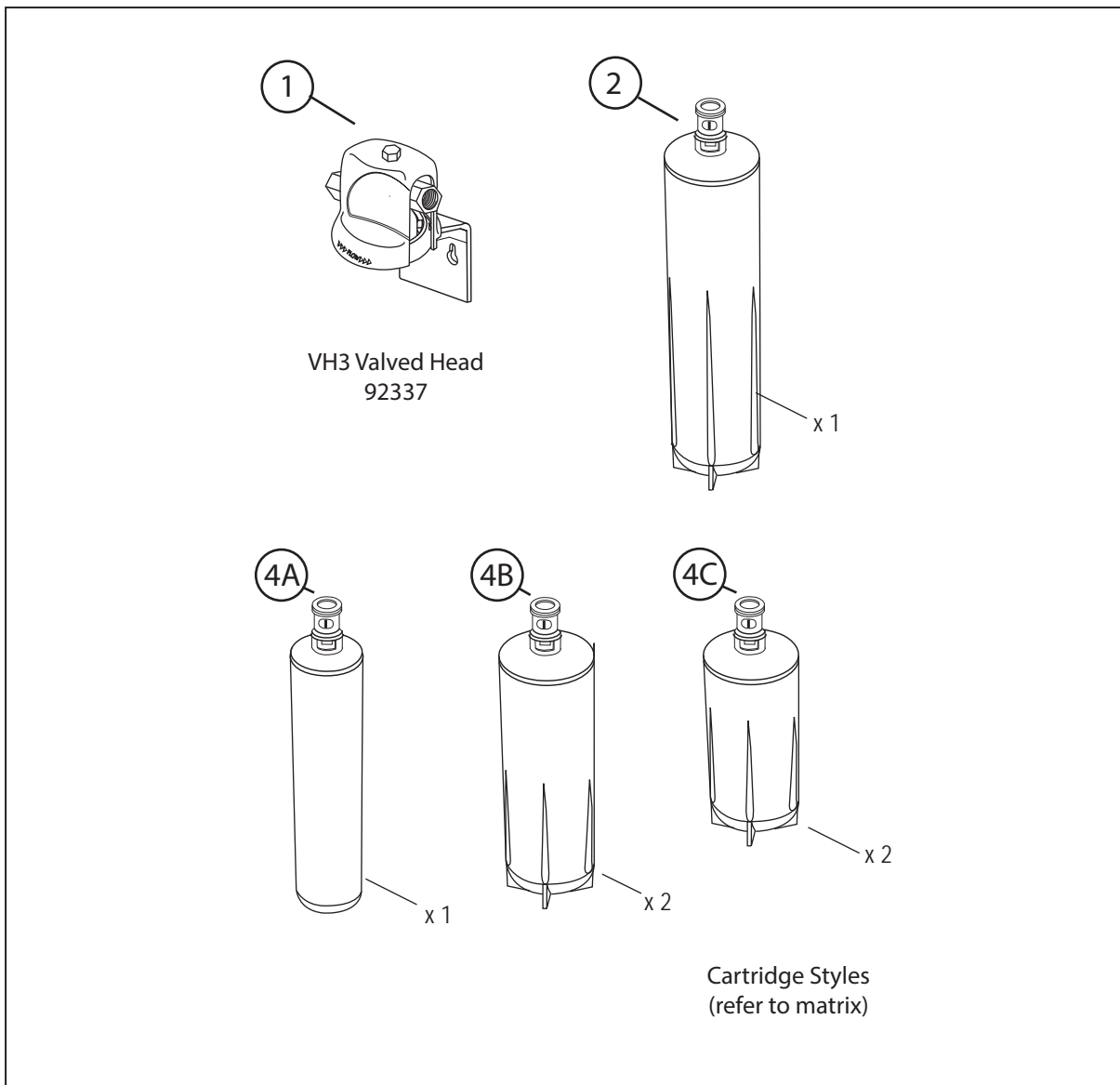
**STEP 12**

Slowly turn on inlet water supply. Be sure ball valve is in the "ON" position, and flush cartridges to remove any entrapped air and carbon fines from the cartridge. Refer to the Performance Data Sheet for flush instructions. Close flush valve. System is ready for use.

**NOTE:** Check system for leaks.

## Part Identification List

### HIGH FLOW SERIES PARTS IDENTIFICATION LIST



Filter Part No.	Filter + Filter Head Part No.	Item	Rated Flow
ZGP 25S - 92321	92342	4A + 1	5.7 L/min
ZGP 40S - 90992	92343	4C + 1	7.9 L/min
ZGP 45S - 92319	92344	4C + 1	7.9 L/min
ZGP 60S - 90993	92345	4B + 1	12.6 L/min
ZGP 65S - 92323	92346	4B + 1	12.6 L/min
ZGP 195 - 92325	92347	2 + 1	3.8 L/min

## Filter Performance Data

### Zip GlobalPlus Water Filter ZGP 25S

Part number 92321

These systems have been tested according to NSF/ANSI Standard 42 and/ or AS/NZS 4348 for the reduction of the substances listed below. The concentration of the indicated substances in water entering the system was reduced to a concentration less than or equal to the permissible limit for water leaving the system as specified in NSF/ANSI Standard 42 and/ or AS/NZS 4348

Contaminant Reduction	Avg. Influent	NSF/ANSI Specified Challenge Concentration	Avg. % Reduction	Avg. Product Water Concentration	NSF Reduction Requirements	NSF Test Report
Chlorine taste and odour	2.0 mg/L	2.0 mg/L ± 10%	95.5	0.09 mg/L	≥ 50%	514702-04
Nominal Particulate Class I, ≥ 0.5 µm to ≤ 1.0 µm	4,833,333 pts/mL	At least 10,000 particles/mL	96.2	182,833 pts/mL	≥ 85%	511293-03

#### Application guidelines / water supply parameters

Capacity	37,854 litres
Service flow	5.7 lpm
Water pressure	172-862 kPa (25-125 psi)
Water temperature	4.4 – 38 °C

**Testing Condition:** pH: 7+/-1

Temp: 20+/-5 Celsius

Pressure: 600 kPa +/- 100 kPa

Note that while the testing was performed under standard laboratory conditions, actual performance may vary. Systems must be installed and operated in accordance with manufacturer's recommended procedures and guidelines. Failure to do so may void warranty. See Warranty Card for Details. **Caution:** This filter system or cartridge is designed to be installed on the Cold water line. Do not install on Hot water line.

**Warning:** AS3497:1998 requires dual backflow prevention and certified pressure control device to be installed prior to filter system(s) that are plumbed into mains water supply. Failure to do so will not only void all warranty(s) on the filter system(s), but will put the home at risk of flooding in the event of damaged appliances during pressure surges.

**Caution:** Do not use with water that is microbiologically unsafe or of unknown quality without adequate disinfection before or after the system. Systems certified for cyst reduction may be used on disinfected water that may contain filterable cysts.

To reduce the risk associated with property damage due to water leakage:

- Read and follow instructions before installation and use of this system
- Installation and use must comply with existing state or local plumbing codes
- Protect filter from freezing. Drain filter when room temperature drops below 4.4°C
- Contact plumbing professional if you are uncertain how to check your water pressure
- Do not install where water hammer conditions may occur. If water hammer conditions exist you must install a water hammer arrester. Contact a plumbing professional if you are uncertain how to check for this condition

- Install on cold water lines only. Do not install on hot water supply lines. The maximum operating water temperature of this filter system is 38°C
- The disposable filter cartridge must be replaced every 12 months or at the specified service cycle, whichever comes first
- Do not install near water pipes which will be in path of a drilling tool when selecting the position to mount the bracket
- Mount filter in such a position as to prevent it from being struck by other items used in the area of installation (waste baskets, etc.)

**Note:** Zip filter systems are designed for ease of installation. However, post-installation inspections are highly recommended. Check for leaks immediately after installation and once again after 24 hours. If leaks are detected, turn off water supply, drain water and inspect the leaks. If problem persists, contact the installer / plumber for rectification.

It is essential that operational, maintenance and filter replacement requirements be carried out for this product to perform as advertised.

Flush new cartridge for at least 2 minutes to remove trapped air bubbles.

If left unused for more than 24 hours, flush cartridge for 2 minutes before use.

#### Treatment and Tests – Table C1

This appliance meets the domestic water treatment appliance Standards AS/NZS 3497 and AS/NZS 4348 for the following water treatment process.

Class	Treatment Type	Function	Pass
I	Microbiological Status Will stop bacteria increasing, but will not remove them unless II (a) is ticked	Will stop bacteria increasing, but will not remove them unless II (a) is ticked	n/a
II	Microbiological Treatment		
II (a)	Bacteria Removal	Will remove inactive bacteria	n/a
II (b)	Virus Removal	Will remove inactive virus	n/a
II (c)	Protozoa Removal		n/a
III	Turbidity & Particulate Reduction	Will reduce cloudiness	✓
IV	Taste & Odour Reduction	Will reduce taste and odour	✓
V	Chemical Treatment	Will decrease chlorine compounds	✓

Legend: ✓ = Pass Test N/A = Not applicable

Note: the use of this appliance may increase the bacterial content of the water unless supplementary treatment is provided.

## Filter Performance Data

### Zip GlobalPlus Water Filter ZGP 40S

Part number 90992

These systems have been tested according to NSF/ANSI Standard 42 and/ or AS/NZS 4348 for the reduction of the substances listed below. The concentration of the indicated substances in water entering the system was reduced to a concentration less than or equal to the permissible limit for water leaving the system as specified in NSF/ANSI Standard 42 and/ or AS/NZS 4348

Contaminant Reduction	Avg. Influent	NSF/ANSI Specified Challenge Concentration	Avg. % Reduction	Avg. Product Water Concentration	NSF Reduction Requirements	NSF Test Report
Chlorine taste and odour	2.0 mg/L	2.0 mg/L ± 10%	96	0.08 mg/L	≥ 50%	J-00018154
Nominal Particulate Class I, ≥ 0.5 µm to ≤ 1.0 µm	3,833,333 pts/mL	At least 10,000 particles/mL	99.4	19,883 pts/mL	≥ 85%	J-00047325
Cyst	132,750 cysts/L	Minimum 50,000 cysts/L	99.99	1 cyst/L	≥99.95%	516513-05

#### Application guidelines / water supply parameters

Capacity	94,635 litres
Service flow	7.95 lpm
Water pressure	172-862 kPa (25-125 psi)
Water temperature	4.4 – 38 °C

**Testing Condition:** pH: 7+/-1

Temp: 20+/-5 Celsius

Pressure: 600 kPa +/- 100 kPa

Note that while the testing was performed under standard laboratory conditions, actual performance may vary. Systems must be installed and operated in accordance with manufacturer's recommended procedures and guidelines. Failure to do so may void warranty. See Warranty Card for Details. **Caution:** This filter system or cartridge is designed to be installed on the Cold water line. Do not install on Hot water line.

**Warning:** AS3497:1998 requires dual backflow prevention and certified pressure control device to be installed prior to filter system(s) that are plumbed into mains water supply. Failure to do so will not only void all warranty(s) on the filter system(s), but will put the home at risk of flooding in the event of damaged appliances during pressure surges.

**Caution:** Do not use with water that is microbiologically unsafe or of unknown quality without adequate disinfection before or after the system. Systems certified for cyst reduction may be used on disinfected water that may contain filterable cysts.

To reduce the risk associated with property damage due to water leakage:

- Read and follow instructions before installation and use of this system
- Installation and use must comply with existing state or local plumbing codes
- Protect filter from freezing. Drain filter when room temperature drops below 4.4°C
- Contact plumbing professional if you are uncertain how to check your water pressure
- Do not install where water hammer conditions may occur. If water hammer conditions exist you must install a water hammer arrester. Contact a plumbing professional if you are uncertain how to check for this condition

- Install on cold water lines only. Do not install on hot water supply lines. The maximum operating water temperature of this filter system is 38°C
- The disposable filter cartridge must be replaced every 12 months or at the specified service cycle, whichever comes first
- Do not install near water pipes which will be in path of a drilling tool when selecting the position to mount the bracket
- Mount filter in such a position as to prevent it from being struck by other items used in the area of installation (waste baskets, etc.)

**Note:** Zip filter systems are designed for ease of installation. However, post-installation inspections are highly recommended. Check for leaks immediately after installation and once again after 24 hours. If leaks are detected, turn off water supply, drain water and inspect the leaks. If problem persists, contact the installer / plumber for rectification.

It is essential that operational, maintenance and filter replacement requirements be carried out for this product to perform as advertised.

Flush new cartridge for at least 2 minutes to remove trapped air bubbles.

If left unused for more than 24 hours, flush cartridge for 2 minutes before use.

#### Treatment and Tests – Table C1

This appliance meets the domestic water treatment appliance Standards AS/NZS 3497 and AS/NZS 4348 for the following water treatment process.

Class	Treatment Type	Function	Pass
I	Microbiological Status Will stop bacteria increasing, but will n/a Bacteriostatic	Will stop bacteria increasing, but will not remove them unless II (a) is ticked	✓
II	Microbiological Treatment		
II (a)	Bacteria Removal	Will remove inactive bacteria	n/a
II (b)	Virus Removal	Will remove inactive virus	n/a
II (c)	Protozoa Removal		n/a
III	Turbidity & Particulate Reduction	Will reduce cloudiness	✓
IV	Taste & Odour Reduction	Will reduce taste and odour	✓
V	Chemical Treatment	Will decrease chlorine compounds	✓

Legend: ✓ = Pass Test N/A = Not applicable

Note: the use of this appliance may increase the bacterial content of the water unless supplementary treatment is provided.



## Filter Performance Data

### Zip GlobalPlus Water Filter ZGP 45S

Part number 92319

These systems have been tested according to NSF/ANSI Standard 42 and/ or AS/NZS 4348 for the reduction of the substances listed below. The concentration of the indicated substances in water entering the system was reduced to a concentration less than or equal to the permissible limit for water leaving the system as specified in NSF/ANSI Standard 42 and/ or AS/NZS 4348

Contaminant Reduction	Avg. Influent	NSF/ANSI Specified Challenge Concentration	Avg. % Reduction	Avg. Product Water Concentration	NSF Reduction Requirements	NSF Test Report
Chlorine taste and odour	2.0 mg/L	2.0 mg/L ± 10%	96	0.08 mg/L	≥ 50%	J-00018154

#### Application guidelines / water supply parameters

Capacity	94,635 litres
Service flow	7.95 lpm
Water pressure	172-862 kPa (25-125 psi)
Water temperature	4.4 – 38 °C

**Testing Condition:** pH: 7+/-1

Temp: 20+/-5 Celsius

Pressure: 600 kPa +/- 100 kPa

Note that while the testing was performed under standard laboratory conditions, actual performance may vary. Systems must be installed and operated in accordance with manufacturer's recommended procedures and guidelines. Failure to do so may void warranty. See Warranty Card for Details. **Caution:** This filter system or cartridge is designed to be installed on the Cold water line. Do not install on Hot water line.

**Warning:** AS3497:1998 requires dual backflow prevention and certified pressure control device to be installed prior to filter system(s) that are plumbed into mains water supply. Failure to do so will not only void all warranty(s) on the filter system(s), but will put the home at risk of flooding in the event of damaged appliances during pressure surges.

**Caution:** Do not use with water that is microbiologically unsafe or of unknown quality without adequate disinfection before or after the system. Systems certified for cyst reduction may be used on disinfected water that may contain filterable cysts.

To reduce the risk associated with property damage due to water leakage:

- Read and follow instructions before installation and use of this system
- Installation and use must comply with existing state or local plumbing codes
- Protect filter from freezing. Drain filter when room temperature drops below 4.4°C
- Contact plumbing professional if you are uncertain how to check your water pressure
- Do not install where water hammer conditions may occur. If water hammer conditions exist you must install a water hammer arrester. Contact a plumbing professional if you are uncertain how to check for this condition

- Install on cold water lines only. Do not install on hot water supply lines. The maximum operating water temperature of this filter system is 38°C
- The disposable filter cartridge must be replaced every 12 months or at the specified service cycle, whichever comes first
- Do not install near water pipes which will be in path of a drilling tool when selecting the position to mount the bracket
- Mount filter in such a position as to prevent it from being struck by other items used in the area of installation (waste baskets, etc.)

**Note:** Zip filter systems are designed for ease of installation. However, post-installation inspections are highly recommended. Check for leaks immediately after installation and once again after 24 hours. If leaks are detected, turn off water supply, drain water and inspect the leaks. If problem persists, contact the installer / plumber for rectification.

It is essential that operational, maintenance and filter replacement requirements be carried out for this product to perform as advertised.

Flush new cartridge for at least 2 minutes to remove trapped air bubbles.

If left unused for more than 24 hours, flush cartridge for 2 minutes before use.

#### Treatment and Tests – Table C1

This appliance meets the domestic water treatment appliance Standards AS/NZS 3497 and AS/NZS 4348 for the following water treatment process.

Class	Treatment Type	Function	Pass
I	Microbiological Status Will stop bacteria increasing, but will not remove them unless II (a) is ticked	Will stop bacteria increasing, but will not remove them unless II (a) is ticked	n/a
II	Microbiological Treatment		
II (a)	Bacteria Removal	Will remove inactive bacteria	n/a
II (b)	Virus Removal	Will remove inactive virus	n/a
II (c)	Protozoa Removal		n/a
III	Turbidity & Particulate Reduction	Will reduce cloudiness	n/a
IV	Taste & Odour Reduction	Will reduce taste and odour	✓
V	Chemical Treatment	Will decrease chlorine compounds	✓

Legend: ✓ = Pass Test N/A = Not applicable

Note: the use of this appliance may increase the bacterial content of the water unless supplementary treatment is provided.

# Filter Performance Data

## Zip GlobalPlus Water Filter ZGP 60S

Part number 90993

These systems have been tested according to NSF/ANSI Standard 42 and/ or AS/NZS 4348 for the reduction of the substances listed below. The concentration of the indicated substances in water entering the system was reduced to a concentration less than or equal to the permissible limit for water leaving the system as specified in NSF/ANSI Standard 42 and/ or AS/NZS 4348

Contaminant Reduction	Avg. Influent	NSF/ANSI Specified Challenge Concentration	Avg. % Reduction	Avg. Product Water Concentration	NSF Reduction Requirements	NSF Test Report
Chlorine taste and odour	2.0 mg/L	2.0 mg/L ± 10%	96	0.08 mg/L	≥ 50%	J-00018154
Nominal Particulate Class I, ≥ 0.5 µm to ≤ 1.0 µm	8,833,333 pts/mL	At least 10,000 particles/mL	99.8	19,883 pts/mL	≥ 85%	516515-05
Cyst	132,750 cysts/L	Minimum 50,000 cysts/L	99.99	1 cyst/L	≥99.95%	516513-05

### Application guidelines / water supply parameters

Capacity	132,475 litres
Service flow	12.6 lpm
Water pressure	172-862 kPa (25-125 psi)
Water temperature	4.4 – 38 °C

**Testing Condition:** pH: 7+/-1

Temp: 20+/-5 Celsius

Pressure: 600 kPa +/- 100 kPa

Note that while the testing was performed under standard laboratory conditions, actual performance may vary. Systems must be installed and operated in accordance with manufacturer's recommended procedures and guidelines. Failure to do so may void warranty. See Warranty Card for Details. **Caution:** This filter system or cartridge is designed to be installed on the Cold water line. Do not install on Hot water line.

**Warning:** AS3497:1998 requires dual backflow prevention and certified pressure control device to be installed prior to filter system(s) that are plumbed into mains water supply. Failure to do so will not only void all warranty(s) on the filter system(s), but will put the home at risk of flooding in the event of damaged appliances during pressure surges.

**Caution:** Do not use with water that is microbiologically unsafe or of unknown quality without adequate disinfection before or after the system. Systems certified for cyst reduction may be used on disinfected water that may contain filterable cysts.

To reduce the risk associated with property damage due to water leakage:

- Read and follow instructions before installation and use of this system
- Installation and use must comply with existing state or local plumbing codes
- Protect filter from freezing. Drain filter when room temperature drops below 4.4°C
- Contact plumbing professional if you are uncertain how to check your water pressure
- Do not install where water hammer conditions may occur. If water hammer conditions exist you must install a water hammer arrester. Contact a plumbing professional if you are uncertain how to check for this condition

- Install on cold water lines only. Do not install on hot water supply lines. The maximum operating water temperature of this filter system is 38°C
- The disposable filter cartridge must be replaced every 12 months or at the specified service cycle, whichever comes first
- Do not install near water pipes which will be in path of a drilling tool when selecting the position to mount the bracket
- Mount filter in such a position as to prevent it from being struck by other items used in the area of installation (waste baskets, etc.)

**Note:** Zip filter systems are designed for ease of installation. However, post-installation inspections are highly recommended. Check for leaks immediately after installation and once again after 24 hours. If leaks are detected, turn off water supply, drain water and inspect the leaks. If problem persists, contact the installer / plumber for rectification.

It is essential that operational, maintenance and filter replacement requirements be carried out for this product to perform as advertised.

Flush new cartridge for at least 2 minutes to remove trapped air bubbles.

If left unused for more than 24 hours, flush cartridge for 2 minutes before use.

### Treatment and Tests – Table C1

This appliance meets the domestic water treatment appliance Standards AS/NZS 3497 and AS/NZS 4348 for the following water treatment process.

Class	Treatment Type	Function	Pass
I	Microbiological Status Will stop bacteria increasing, but will n/a Bacteriostatic	Will stop bacteria increasing, but will not remove them unless II (a) is ticked	✓
II	Microbiological Treatment		
II (a)	Bacteria Removal	Will remove inactive bacteria	n/a
II (b)	Virus Removal	Will remove inactive virus	n/a
II (c)	Protozoa Removal		n/a
III	Turbidity & Particulate Reduction	Will reduce cloudiness	✓
IV	Taste & Odour Reduction	Will reduce taste and odour	✓
V	Chemical Treatment	Will decrease chlorine compounds	✓

Legend: ✓ = Pass Test N/A = Not applicable

Note: the use of this appliance may increase the bacterial content of the water unless supplementary treatment is provided.

## Filter Performance Data

### Zip GlobalPlus Water Filter ZGP 65S

Part number 92323

These systems have been tested according to NSF/ANSI Standard 42 and/ or AS/NZS 4348 for the reduction of the substances listed below. The concentration of the indicated substances in water entering the system was reduced to a concentration less than or equal to the permissible limit for water leaving the system as specified in NSF/ANSI Standard 42 and/ or AS/NZS 4348

Contaminant Reduction	Avg. Influent	NSF/ANSI Specified Challenge Concentration	Avg. % Reduction	Avg. Product Water Concentration	NSF Reduction Requirements	NSF Test Report
Chlorine taste and odour	2.0 mg/L	2.0 mg/L ± 10%	96.6	0.07 mg/L	≥ 50%	J-00089365

#### Application guidelines / water supply parameters

Capacity	132,489 litres
Service flow	12.6 lpm
Water pressure	172-862 kPa (25-125 psi)
Water temperature	4.4 – 38 °C

**Testing Condition:** pH: 7+/-1

Temp: 20+/-5 Celsius

Pressure: 600 kPa +/- 100 kPa

Note that while the testing was performed under standard laboratory conditions, actual performance may vary. Systems must be installed and operated in accordance with manufacturer's recommended procedures and guidelines. Failure to do so may void warranty. See Warranty Card for Details. **Caution:** This filter system or cartridge is designed to be installed on the Cold water line. Do not install on Hot water line.

**Warning:** AS3497:1998 requires dual backflow prevention and certified pressure control device to be installed prior to filter system(s) that are plumbed into mains water supply. Failure to do so will not only void all warranty(s) on the filter system(s), but will put the home at risk of flooding in the event of damaged appliances during pressure surges.

**Caution:** Do not use with water that is microbiologically unsafe or of unknown quality without adequate disinfection before or after the system. Systems certified for cyst reduction may be used on disinfected water that may contain filterable cysts.

To reduce the risk associated with property damage due to water leakage:

- Read and follow instructions before installation and use of this system
- Installation and use must comply with existing state or local plumbing codes
- Protect filter from freezing. Drain filter when room temperature drops below 4.4°C
- Contact plumbing professional if you are uncertain how to check your water pressure
- Do not install where water hammer conditions may occur. If water hammer conditions exist you must install a water hammer arrester. Contact a plumbing professional if you are uncertain how to check for this condition

- Install on cold water lines only. Do not install on hot water supply lines. The maximum operating water temperature of this filter system is 38°C
- The disposable filter cartridge must be replaced every 12 months or at the specified service cycle, whichever comes first
- Do not install near water pipes which will be in path of a drilling tool when selecting the position to mount the bracket
- Mount filter in such a position as to prevent it from being struck by other items used in the area of installation (waste baskets, etc.)

**Note:** Zip filter systems are designed for ease of installation. However, post-installation inspections are highly recommended. Check for leaks immediately after installation and once again after 24 hours. If leaks are detected, turn off water supply, drain water and inspect the leaks. If problem persists, contact the installer / plumber for rectification.

It is essential that operational, maintenance and filter replacement requirements be carried out for this product to perform as advertised.

Flush new cartridge for at least 2 minutes to remove trapped air bubbles.

If left unused for more than 24 hours, flush cartridge for 2 minutes before use.

#### Treatment and Tests – Table C1

This appliance meets the domestic water treatment appliance Standards AS/NZS 3497 and AS/NZS 4348 for the following water treatment process.

Class	Treatment Type	Function	Pass
I	Microbiological Status Will stop bacteria increasing, but will n/a Bacteriostatic	Will stop bacteria increasing, but will not remove them unless II (a) is ticked	n/a
II	Microbiological Treatment		
II (a)	Bacteria Removal	Will remove inactive bacteria	n/a
II (b)	Virus Removal	Will remove inactive virus	n/a
II (c)	Protozoa Removal		n/a
III	Turbidity & Particulate Reduction	Will reduce cloudiness	n/a
IV	Taste & Odour Reduction	Will reduce taste and odour	✓
V	Chemical Treatment	Will decrease chlorine compounds	✓

Legend: ✓ = Pass Test N/A = Not applicable

Note: the use of this appliance may increase the bacterial content of the water unless supplementary treatment is provided.

### Head Office

Zip Heaters (Aust) Pty. Ltd.  
ABN 46 000 578 727  
67-77 Allingham Street  
Condell Park NSW 2200  
Postal: Locked Bag 80  
Bankstown 1885 Australia

Website: [www.zipwater.com](http://www.zipwater.com)  
Telephone (02) 9796 3100  
Free Call 1 800 638 633

As Zip's policy is one of continuous product improvement, changes to specifications may be made without prior notice. Images in this booklet have been modified and may not be true representations of the finished goods.

The terms "Zip" and "HydroTap" are registered trade marks of Zip Water (Aust) Pty Ltd.

Zip products described in this publication are manufactured under one or more of the following patents: AU675601, AU637412, AU635979, GB0422305, GB2065848, US4354049, US5103859, US5099825 and SA2006/08043. Other patents are in force and patent applications are pending.

