



Zip HydroChill HC03

FILTERED: CHILLED AMBIENT

HydroChill HC03 floor standing 15ltr chilled & ambient filtered water dispense with push button controls for ease of use. Featuring matt black design, carbon block taste & odour filter and sterilising UV out filtration.



MODEL	TAP STYLE	ULTRA VIOLET	CAPACITY (L/HR)	NOMINAL POWER RATING KW	DIMENSIONS W X D X H
HC03CTU15	Push Button	Y	15 L/hr	0.23 kW @ 230V	350mm x 416mm x 1093mm

Features and benefits

Pure, clean water

Provide pure-tasting, hygienic water in an instant, thanks to Zip's taste and odour filtration plus UV filtration.

Environmentally responsible

Create a healthier, greener workplace with no need for plastic bottles.

Caters for a wide range usage

The HydroChill range has been designed to cater for a variety of commercial settings where easy access to drinking water are required. The HydroChill line up includes floor standing, counter top and under-counter products with the capability to provide a range of dispensing options from 15 to 150 litres per hour.

Consumables and accessories

Serve clean-tasting water in a professional way by using Zip's glass bottles or Zip branded Chilly's, insulated bottles.

Easy to install

Quick and simple to install and use.

Product detail

Specification type

Product code	HC03CTU15
Product name	HydroChill HC03 15 ltr Chilled & Ambient with UV
Refrigerant gas	Natural gas R600



WARNING R600 is a CFC free, environmentally friendly but highly flammable gas. The product should be installed and operated within the instructions in the supplied manual

Capacity, weights & dimensions

Water Functions	Chilled, Ambient
Capacity (litres per hour)	15 L/hr
Product weight	31kg
Unit dimensions (W x D x H) mm	350mm x 416mm x 1093mm

Plumbing

Whole cold water inlet supply required	Yes
Inlet pipe	15mm
Supply pressure range	1.5bar (Min) - 3bar (Max)
Installation	Must comply with current water supply regulations

Electrical

Nominal power rating kw	0.23 kW @ 230V
Power supply option	1x 13amp socket outlet
Installation	Must comply with current IEE regulations

Filtration

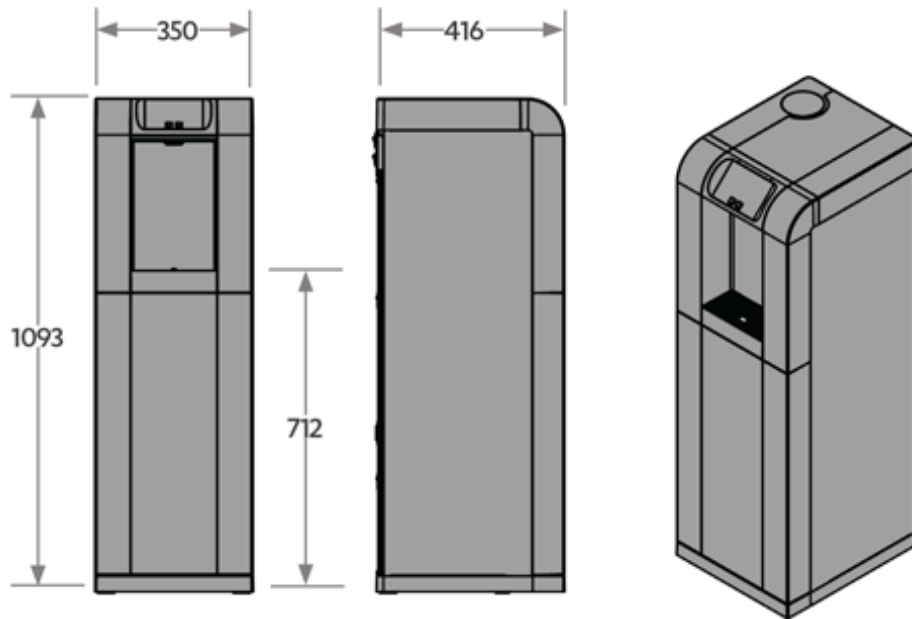
Sterilising UV filtration at point of dispense	Kills bacteria, viruses, moulds, alga
------------------------------------------------	---------------------------------------

Warranty

1 year on-site parts and labour on site	Terms and conditions apply (see supplied manual)
-----------------------------------------	--------------------------------------------------

Technical drawings & dimensions

All dimensions in mm



Technical data table

Parameter	HC03CTU15
Single-phase supply voltage +/- 10%	230V 50Hz
Max electrical consumption	230W - 1 A
Ambient running temperature	10 – 32 °C
Refrigerant gas	R600
Ventilated air condenser	YES
Water pump type	Membrane
Chilled water temperature Min – Max *	5 – 12 °C
Operating pressure	1.5 – 3.0 bar
Refrigerant capacity	15 Lt/h
Compressor capacity	1/10 HP
Cooling tank capacity	2,75 Lt
Net weight (max)	21,1 Kg
Gross weight (max)	23.8 Kg
Dispensing area H	280 mm
HC03CTU15 dimensions WxDxH	350 x 416 x 1093 mm
Warehouse storage temperature	Min 2 °C – Max 40 °C

* rated at a room temp. of 25°C and inlet water temp. of 20°C

Clearance envelope

A clearance envelope around all Command Centres must be provided to ensure that the temperature of the installation space does not exceed 32°C. See below:

